

## Wideband RF Switch Box TWSWBX0318000

### Main Features

- Wideband 0.3 – 18 GHz
- +40 dBm Maximum Input Power Level
- SMA Connectorized
- Supply Voltage : 85-264 VAC

### Typical Applications

- Test Instrumentation
- Antenna Switching



Only for information

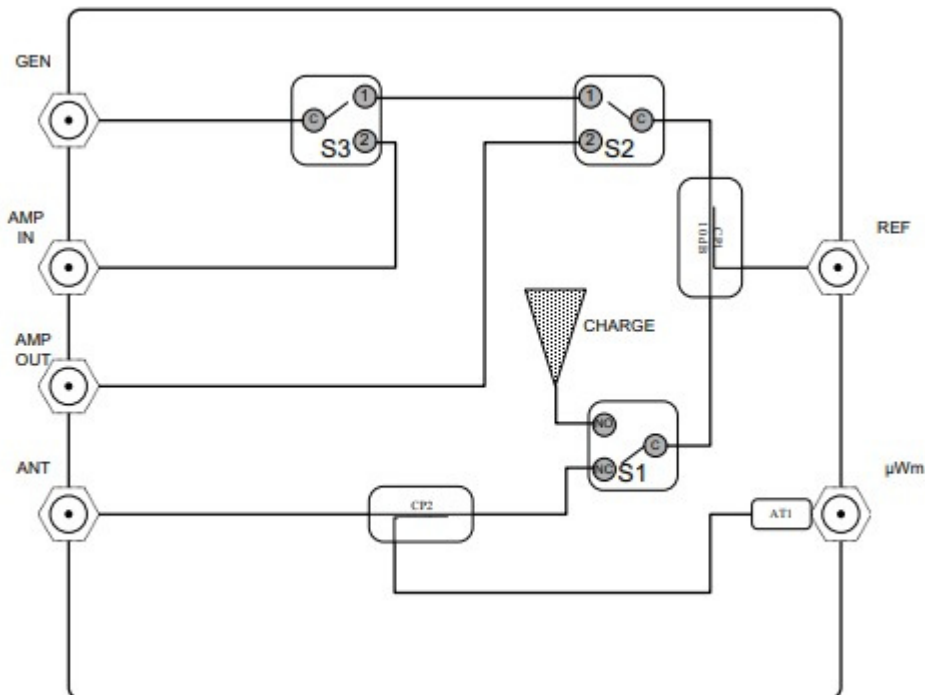
Electrical Specifications				
Parameter	Unit	Min.	Typ.	Max.
Frequency Range	GHz	0.3		18
GEN/AMP IN <sup>1</sup> Path Insertion Loss	dB			2
GEN/REF <sup>3</sup> Path Insertion Loss	dB		1.5	15
GEN/ $\mu$ Wm <sup>1</sup> Path Insertion Loss	dB		1.4	50
GEN/ANT <sup>1</sup> Path Insertion Loss	dB			8
AMP OUT/REF <sup>1</sup> Path Insertion Loss	dB			14
Input / Output VSWR	:1			1.67
DC Supply Current	A			2
Input Power Level (no damage)	dBm			+40

<sup>1</sup> See System Block Diagram

Environmental Specifications		
Parameter	Unit	Specification
Operating temperature range	°C °C	+10 to +35
Storage Temperature range		-40 to +85

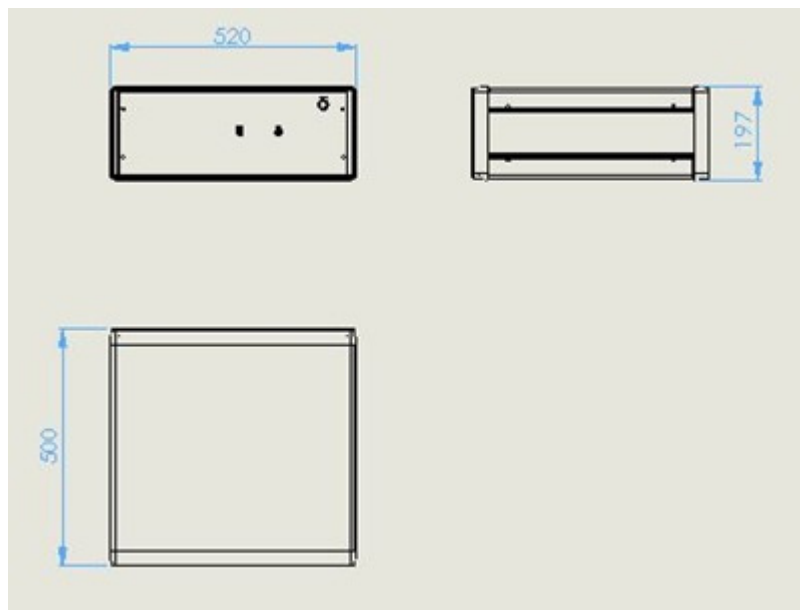
Mechanical Specifications		
Parameter	Unit	Specification
Case Dimensions	mm	520 * 500 * 197 max
RF connectors		SMA - Female
Supply connector		C13 (CEI 60320 compliant)
Switching status		LED on Front Panel
Material		Aluminum
Operating life		1.000.000 Cycles

### System Block Diagram



## Outline Drawing

All dimensions are in mm



Only for information